

SEMI-AUTOMATIC

TRAFFIC BOLLARDS

gas spring



RELIABLE AND COST-EFFECTIVE SOLUTION TO
PROVIDE 100% SECURITY OF YOUR TERRITORY

TiSO semi-automatic bollards are a perfect solution for effective vehicle access control under the circumstances of unavailable power supply. Semi-automatic bollards have gas spring mechanism which is locked at down position and rise rapidly when released. Being complete and independent solution, semi-automatic bollards require manual impact for driveway opening or closing. Regularly this function is provided by staff involved to access control management. The range of semi-automatic bollards is specified by tube's material, diameter, and rising height of blocking segment.

Installation areas

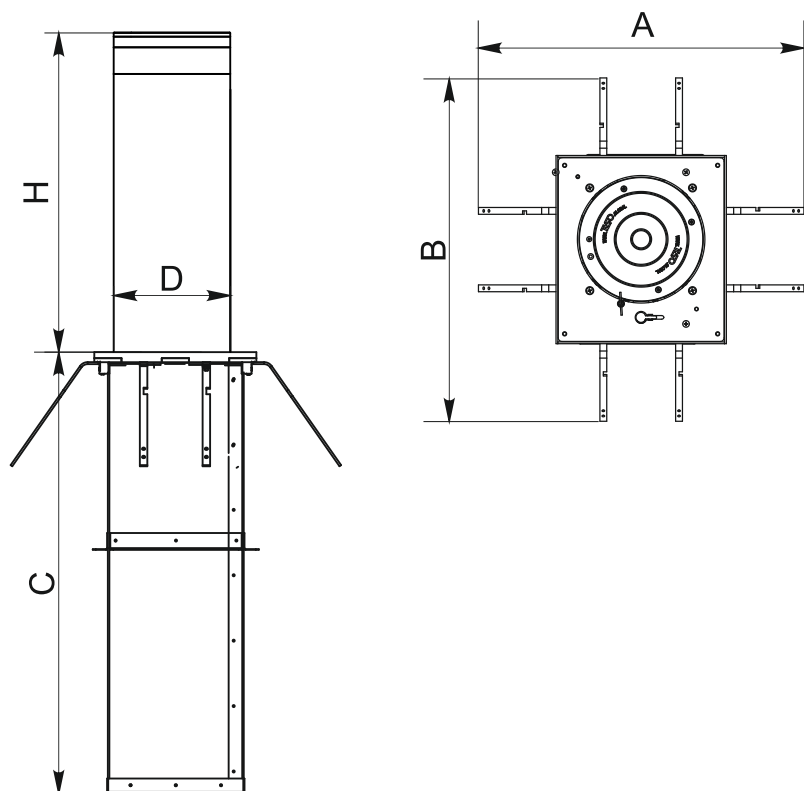
- Governmental Institutions
- Military Bases
- Nuclear Power Plants
- Production sites (Industrial Plants)
- Commercial areas
- Financial institutions
- Airport Premises
- Business (Office) Center
- Hotels
- Sport Complexes
- Recreation areas
- Urban areas
- Education Institutions



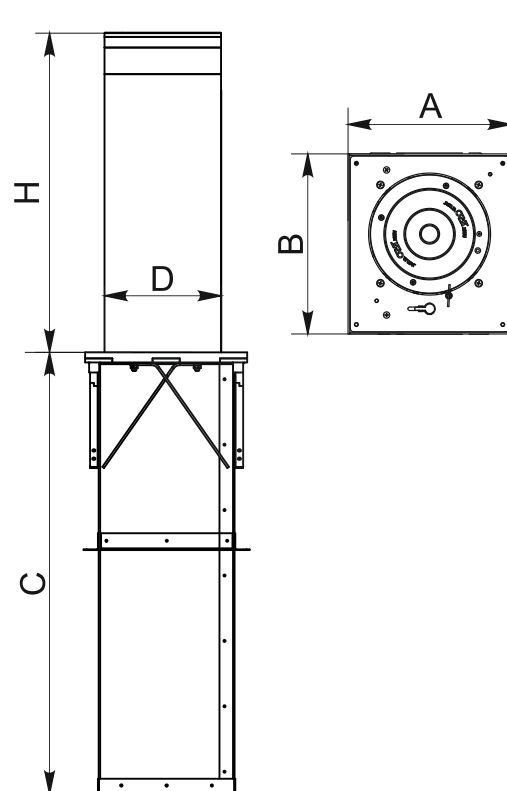
www.tiso.global
+380 (44) 291-21-11
e-mail: sales@tiso.global



Overall dimensions of the bollard with raised foundation anchors



Overall dimensions of the bollard with lowered foundation anchors



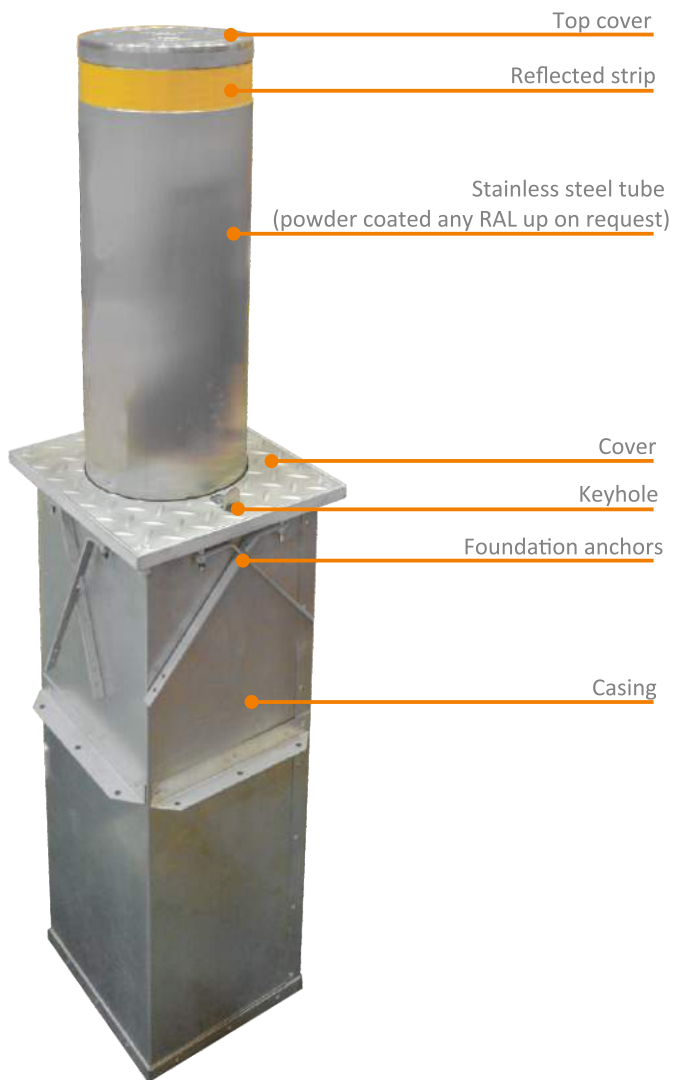
TECHNICAL SPECS*:

Model	RB343-60	RB343-61	RB343-63	RB343-64
Drive	Gas-spring mechanism			
Tube diameter (D), mm	220	273	220	273
Tube height (H), mm	600		800	
Foundation case dimensions (AxBxC), mm				
• with lowered anchors	330x380x878	374x413x878	330x380x1078	374x413x1078
• with raised anchors	671x721x878	715x754x878	671x721x1078	715x754x1078
Operation temperatures**, °C	-40 / +60			
Tube material	Brushed stainless steel AISI 304 Brushed stainless steel AISI 316 Galvanized and powder coated tube (any RAL up on request)			

*technical data is subject to change without notice

**for temperatures lower than -10 °C use the heating device; for temperatures higher than +40 °C use the cooler device





Standard kit

- Reflective tape
- Key
- Bollard in assembly
- Installation casing

Options

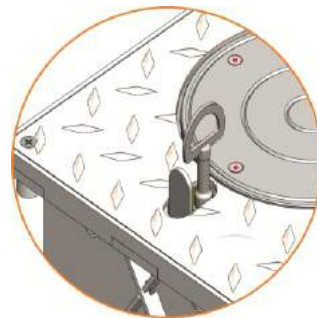
- LED indication
- Sound signal
- Any RAL color
- Additional keys
- Traffic lights

Opening of access



1. Turn the key to unlock.
2. Push the bollard with a foot to retract it in the casing and automatically lock in the down position.

Closing of access



1. Turn the key to back.
2. The bollard raises and automatically lock in the up position.